

ORDER FORM

Fill in the dimensions in the boxes below.

- Please note all dimensions are to internal face of 70 mm kerb (exclude plasterboard).
- Measurement size of kerb height needs to be minimal 150mm (internal aperture).
- Slope / width is always the smallest size.

ORDER e: jordan.lewis@abcell.co.uk, kevin.baldock@abcell.co.uk, malgorzata.olechno@abcell.co.uk

QUOTE e: jordan.lewis@abcell.co.uk, kevin.baldock@abcell.co.uk, malgorzata.olechno@abcell.co.uk

New Build Existing flat roof

ACCOUNT No.

Company Name

Order Number

JOB REFERENCE

Company Contact

Telephone No.

Email

Delivery Address

.....

.....

POSTCODE

Delivery Date Req

Quotation Ref

ROOF SPECIFICATION

COLOUR: RAL9005 - 60% Black RAL9003 - 80% White RAL7016 - 30% Grey Bespoke RAL:

GLOSS %:

PITCH: 4°

CONSERVAGLASS OPTIONS: Standard, 26mm or 28mm (glass size dependent of skylight size) Clear Blue

OPTIONAL KERB: Yes No

CUSTOMER NOTE: Please carefully read the Ultrasky Flat Skylight installation guide before filling in order details.

The minimum distance between flat skylights is 400mm

Glass Specification: The glass is either 26mm or 28mm depending on the size of the flat skylight. See price list for details. Available in Clear and Blue glass options.
Outer Layer - 6mm Toughened Opti Neutral/ 16mm Argon filled cavity with warm edge spacer
Inner Layer - 4mm or 6mm (size dependent) high performance, Low E, toughened.

Glass U-value: 1.0

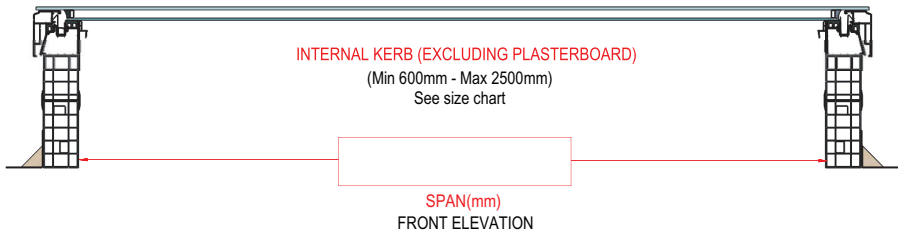
DISCLAIMER

The builder/installer is responsible for providing / checking structural deck. Building Regulation applications MAY be needed depending upon application. In certain commercial applications, restrictions in the use of the product may apply. Not suitable to walk on the glass.

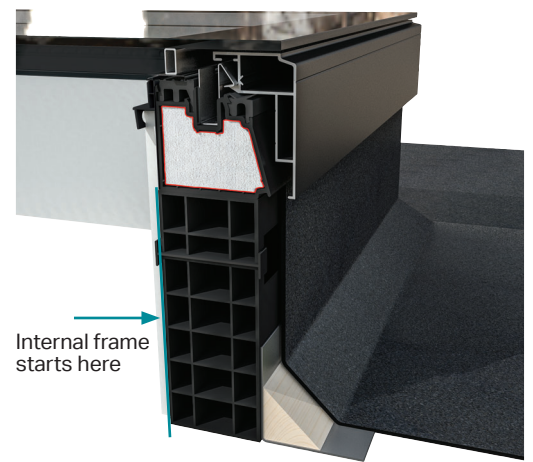
Contact 01200 452918 for guidance.

Job No.:3598

PLAN VIEW



| STOCK SIZES - BLACK ONLY | |
|-------------------------------|--------------------------|
| 600mm x 600mm – Clear Glass | <input type="checkbox"/> |
| 1000mm x 1000mm – Clear Glass | <input type="checkbox"/> |
| 1000mm x 1500mm – Clear Glass | <input type="checkbox"/> |
| 1000mm x 2000mm – Clear Glass | <input type="checkbox"/> |
| 1200mm x 1200mm – Clear Glass | <input type="checkbox"/> |



SIGNED DATE

Note: Upon placement of your Ultrasky Flat Skylight order, no drawing confirmation will be sent so please ensure information provided is accurate.